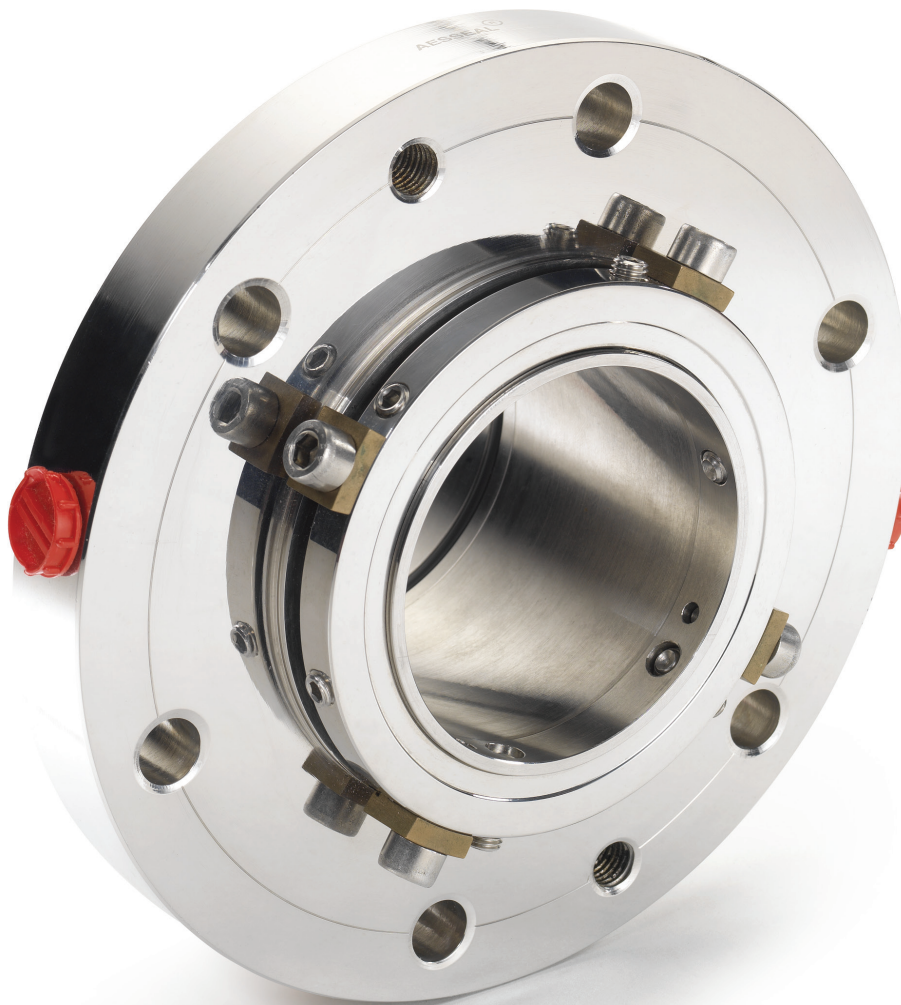


# CVSD™

## Cartridge Vulcanized Spring Disc Seal



- Ideal slurry seal design
- Cartridge design
- Vulcanized spring disc energized
- No spring clogging potential
- Solid alloy 255 rotary and gland insert as standard

# CVSD™ / CVSD-R™

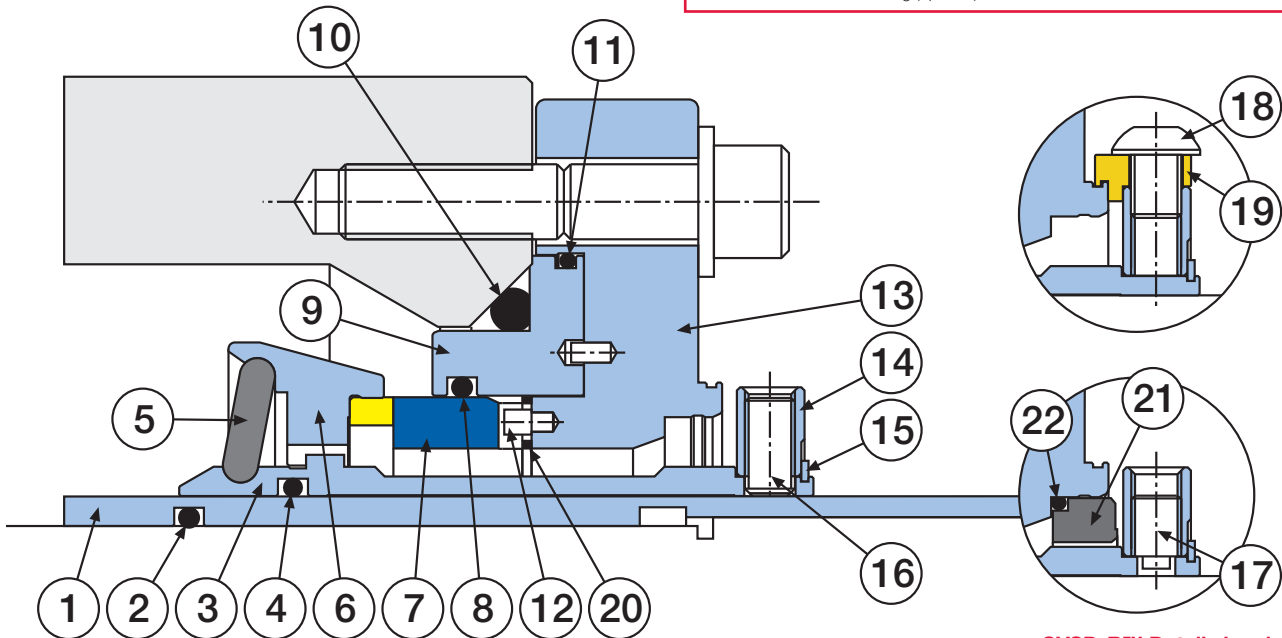


## Technical information

The CVSD™ and CVSD-R™ are ideal slurry seals, designed around AESSEAL® modular seal technology.

- Vulcanized spring disc removes possibility of conventional spring clogging
- Rotary and Gland Insert offered as standard in solid Alloy 255
- Contact your nearest sales outlet to confirm product lead time and sizes available

Item	Description	Material
1	Pump Shaft Sleeve (optional)	316L Stainless Steel / Alloy 255
2	Pump Shaft Sleeve O Ring (optional)	FKM / EPR / FFKM / TFE/P
3	Cartridge Sleeve	316L Stainless Steel / Alloy 255
4	Sleeve O Ring	FKM / EPR / FFKM / TFE/P
5	Spring Disc	FKM / EPR encapsulated spring washer
6	Rotary Face	Alloy 255-TC / 316L SS-TC
7	Stationary Face	TC
8	Stationary Face O Ring	FKM / EPR / FFKM / TFE/P
9	Gland Insert	Alloy 255 / 316L SS
10	Seal Chamber O Ring	FKM / EPR / FFKM / TFE/P
11	Gland Insert O Ring	FKM / EPR / FFKM / TFE/P
12	Stationary Face Pins	316 Stainless Steel
13	Gland	316 Stainless Steel
14	Clamp Ring	316L Stainless Steel
15	Circlip	Stainless Steel
16	Drive Screws	Stainless Steel
17	Anti-tamper Screws	Stainless Steel
18	Clip Screws	Stainless Steel
19	Setting Clips	Brass
20	Stationary Gasket	AF1 / GFT
21	Restriction Bush (optional)	Carbon
22	Restriction Bush O Ring (optional)	FKM / EPR / FFKM / TFE/P



CVSD-R™ Detail showing optional restriction bush.

This brochure is fully recyclable. When laminated, a sustainable, biodegradable and recyclable lamination is used.

For further information and safe operating limits contact our technical specialists at the locations below.



### AESSEAL plc is certified to:

ISO 9001, ISO 14001, ISO/IEC 20000, ISO/IEC 27001,  
ISO/TS 29001, ISO 37001, ISO 45001 & ISO 50001

Use double mechanical seals with hazardous products.

Always take safety precautions:

- Guard your equipment
- Wear protective clothing

#### UK Sales & Technical advice:

AESSEAL plc  
Mill Close  
Bradmarsh Business Park  
Rotherham,  
S60 1BZ, UK  
Tel: +44 (0) 1709 369966  
E-mail: [enquiries@aes seal.info](mailto:enquiries@aes seal.info)  
[www.aes seal.com](http://www.aes seal.com)



Net Zero champions globally



#### USA Sales & Technical advice:

AESSEAL Inc.  
355 Dunavant Drive  
Rockford,  
TN. 37853,  
USA  
Tel: +1 865 531 0192  
E-mail: [usa@aes seal.com](mailto:usa@aes seal.com)  
[www.aes seal.com](http://www.aes seal.com)

**Important:** Since the conditions and methods of use of this product are beyond our control, AESSEAL plc expressly disclaims any and all liability resulting or arising from any use of this product or reliance on any information contained in this document - AESSEAL plc standard conditions of sale apply. All sizes are subject to manufacturing tolerances. We reserve the right to modify specifications at any time. AESSEAL® is a Registered Trademark of AES Engineering Ltd, AESSEAL plc recognizes all trademarks and trademark names as the property of their owners.