



# Data sheet application details

Complete and accurate information will aid the selection of the correct equipment for your application

Name  Date

Company

## ENVIRONMENTAL TECHNOLOGY

### Was a packing already been installed for your application?

Yes  No

If yes, please describe the type of packing, reason for failure and the service life achieved.

\_\_\_\_\_

### Product details

Product name \_\_\_\_\_

Pressure at the packing (bar) \_\_\_\_\_

Temperature at the packing (°C) \_\_\_\_\_

pH value \_\_\_\_\_

Description: e.g. acid, alkali, solvent, etc. \_\_\_\_\_

%, alternatively highly concentrated, diluted, etc. \_\_\_\_\_

Abrasive substances  Yes  No

Food approval  FDA  EN 10/2011

### Information on rotating shafts

Unit manufacturer \_\_\_\_\_

Type \_\_\_\_\_

Speed (rpm) \_\_\_\_\_

Max. movement of the shaft Axial: [mm] Radial: [mm]

Shaft alignment  Horizontal  Vertical

Dry running  Always  Eventually  Never

Lantern ring installed  Yes  No

If yes, indicate position \_\_\_\_\_ (e.g.: 2L2 see drawing)

### Details of valve sealing

Unit manufacturer \_\_\_\_\_

Type \_\_\_\_\_

Shut-off valve  Control valve

### Additional requirements

LiveLoading  TA-Luft VDI 2240  API 622

EN 15848  BAM oxygen  API 607 / 589

### Dimensions

D<sub>1</sub> (Shaft / sleeve diameter) \_\_\_\_\_ [mm]

D<sub>2</sub> (Housing bore diameter) \_\_\_\_\_ [mm]

D<sub>4</sub> (Bolts diameter) \_\_\_\_\_ [mm]

Amount of bolts \_\_\_\_\_

L<sub>1</sub> (Housing depth) \_\_\_\_\_ [mm]

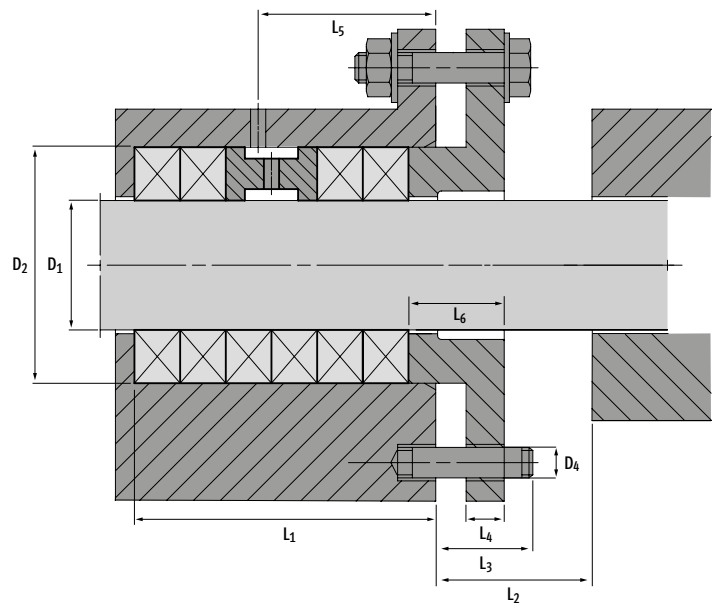
L<sub>2</sub> (Distance to first barrier) \_\_\_\_\_ [mm]

L<sub>3</sub> (Bolt length) \_\_\_\_\_ [mm]

L<sub>4</sub> (Gland thickness) \_\_\_\_\_ [mm]

L<sub>5</sub> (Distance connection hole) \_\_\_\_\_ [mm]

L<sub>6</sub> (Length gland protrusion) \_\_\_\_\_ [mm]



### Other specifications (as required)

Packing must be of bright colour/non contaminating  Yes  No

\_\_\_\_\_

\_\_\_\_\_

\_\_\_\_\_

PRINT

SEND

RESET