



Data sheet application details

Complete and accurate information will aid the selection of the correct equipment for your application

Name Date

Company

ENVIRONMENTAL TECHNOLOGY

Was a packing already been installed for your application?

Yes No

If yes, please describe the type of packing, reason for failure and the service life achieved.

Product details

Product name _____

Pressure at the packing (psi) _____

Temperature at the packing (°F) _____

pH value _____

Description: e.g. acid, alkali, solvent, etc. _____

%, alternatively highly concentrated, diluted, etc. _____

Abrasive substances Yes No

Food approval FDA EN 10/2011

Information on rotating shafts

Unit manufacturer _____

Type _____

Speed (rpm) _____

Max. movement of the shaft Axial: [inch] Radial: [inch]

Shaft alignment Horizontal Vertical

Dry running Always Eventually Never

Lantern ring installed Yes No

If yes, indicate position _____ (e.g.: 2L2 see drawing)

Details of valve sealing

Unit manufacturer _____

Type _____

Shut-off valve Control valve

Additional requirements

LiveLoading TA-Luft VDI 2240 API 622

EN 15848 BAM oxygen API 607 / 589

Dimensions

D₁ (Shaft / sleeve diameter) _____ [inch]

D₂ (Housing bore diameter) _____ [inch]

D₄ (Bolts diameter) _____ [inch]

Amount of bolts _____

L₁ (Housing depth) _____ [inch]

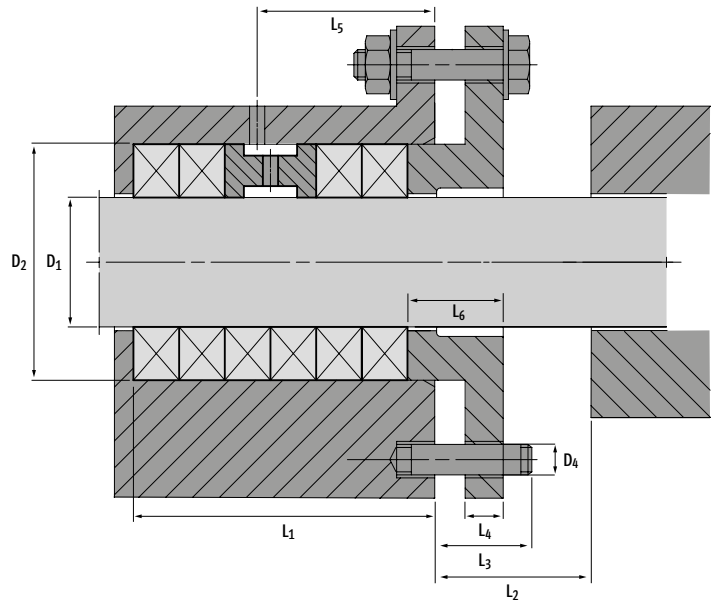
L₂ (Distance to first barrier) _____ [inch]

L₃ (Bolt length) _____ [inch]

L₄ (Gland thickness) _____ [inch]

L₅ (Distance connection hole) _____ [inch]

L₆ (Length gland protrusion) _____ [inch]



Other specifications (as required)

Packing must be of bright colour/non contaminating Yes No

PRINT | SEND | RESET